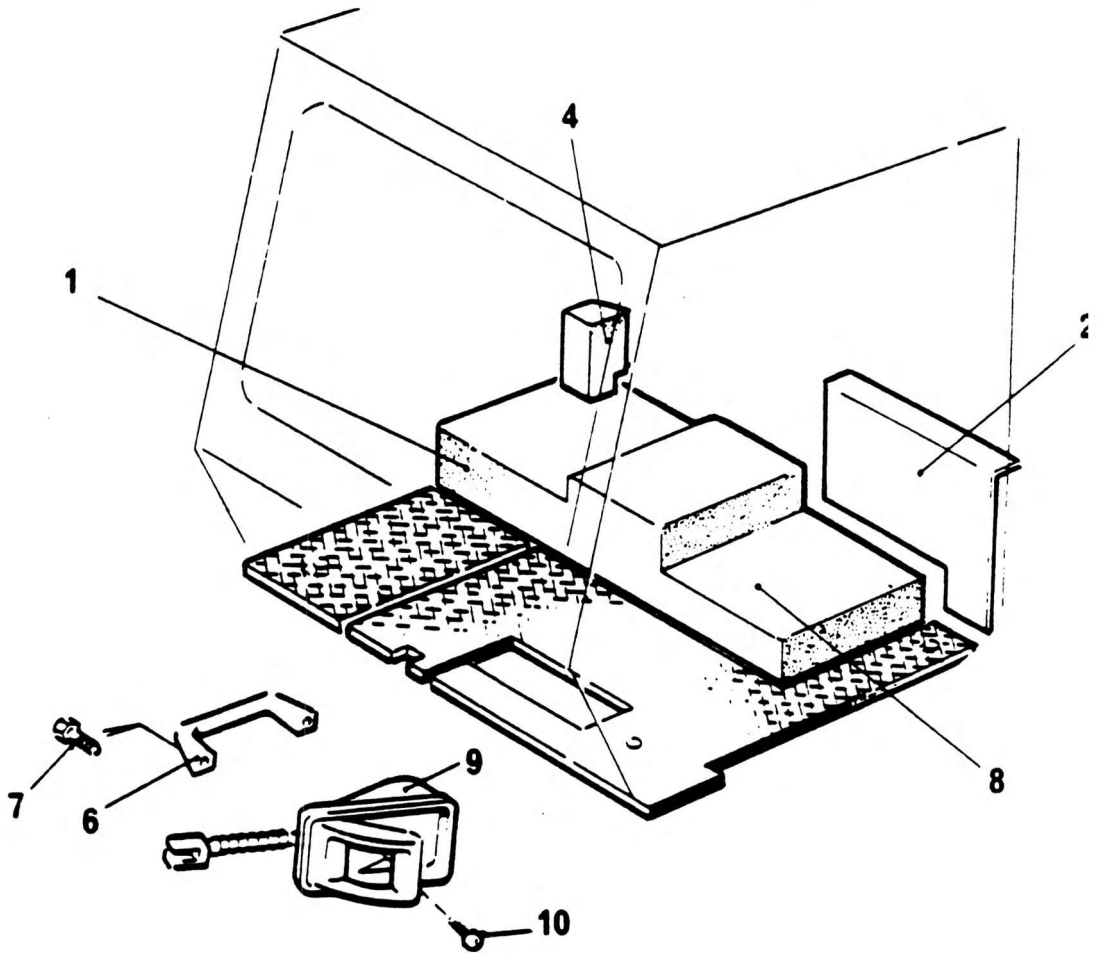


TRIM ASSEMBLY - BASIC



NO.	PART NO.	QTY.	DESCRIPTION	NO.	PART NO.	QTY.	DESCRIPTION
1	7-001-990278	1	Carpet Seat and Control Panel Carrier				
2	7-001-990284	1	Carpet Rear Steer Box				
4	7-001-990288	1	Carpet RHS Rear Carrier Cab				
5	8370145	1	Adhesive Spray-On Clear				
6	7-511-990045	1	Door Handle				
7	7-126-151250	2	Bolt M6 x 25 Long				
8	7-001-990304	1	Carpet Seat and Control Panel				
9	7-511-990042	1	Handle Moulded Bowl				
10	7054017	1	Screw 4BA x 1/2"				

6-001-990098
Issue No. 00